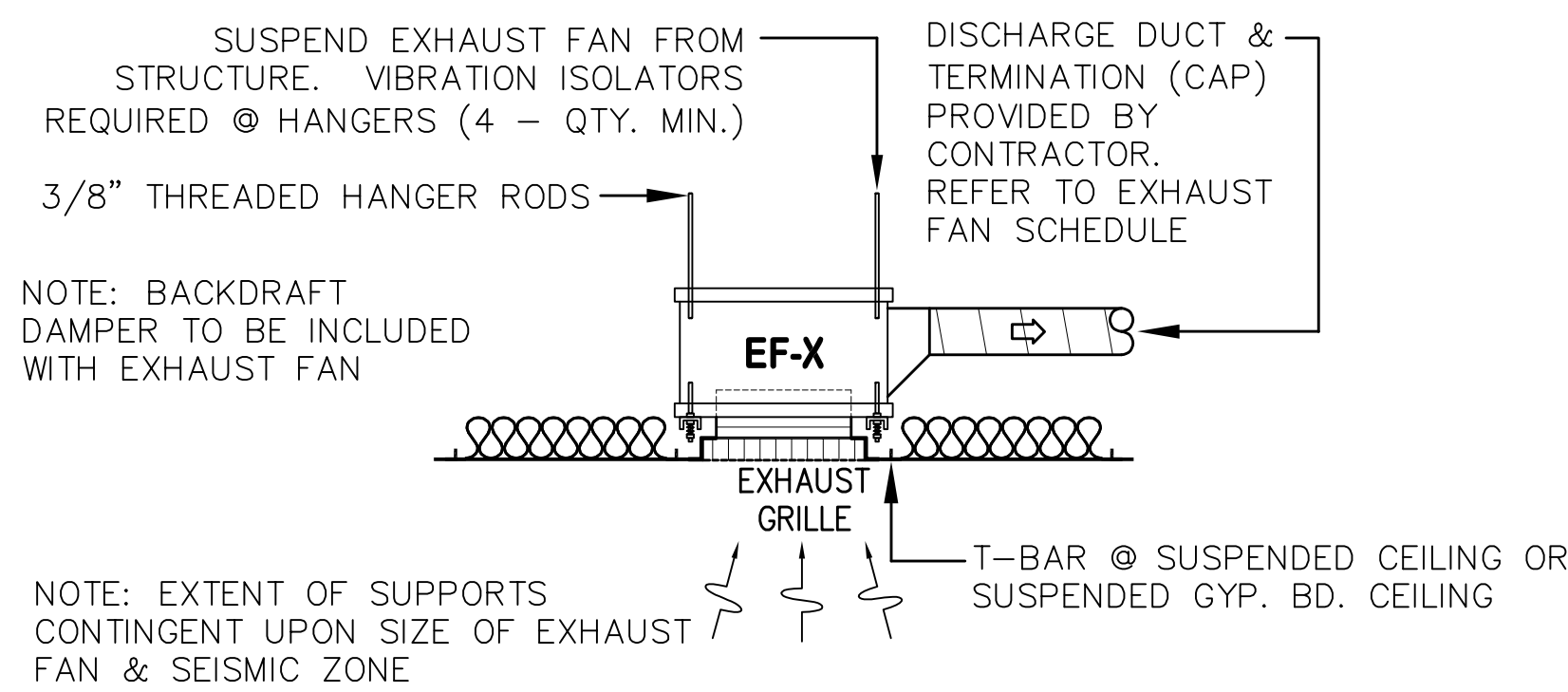
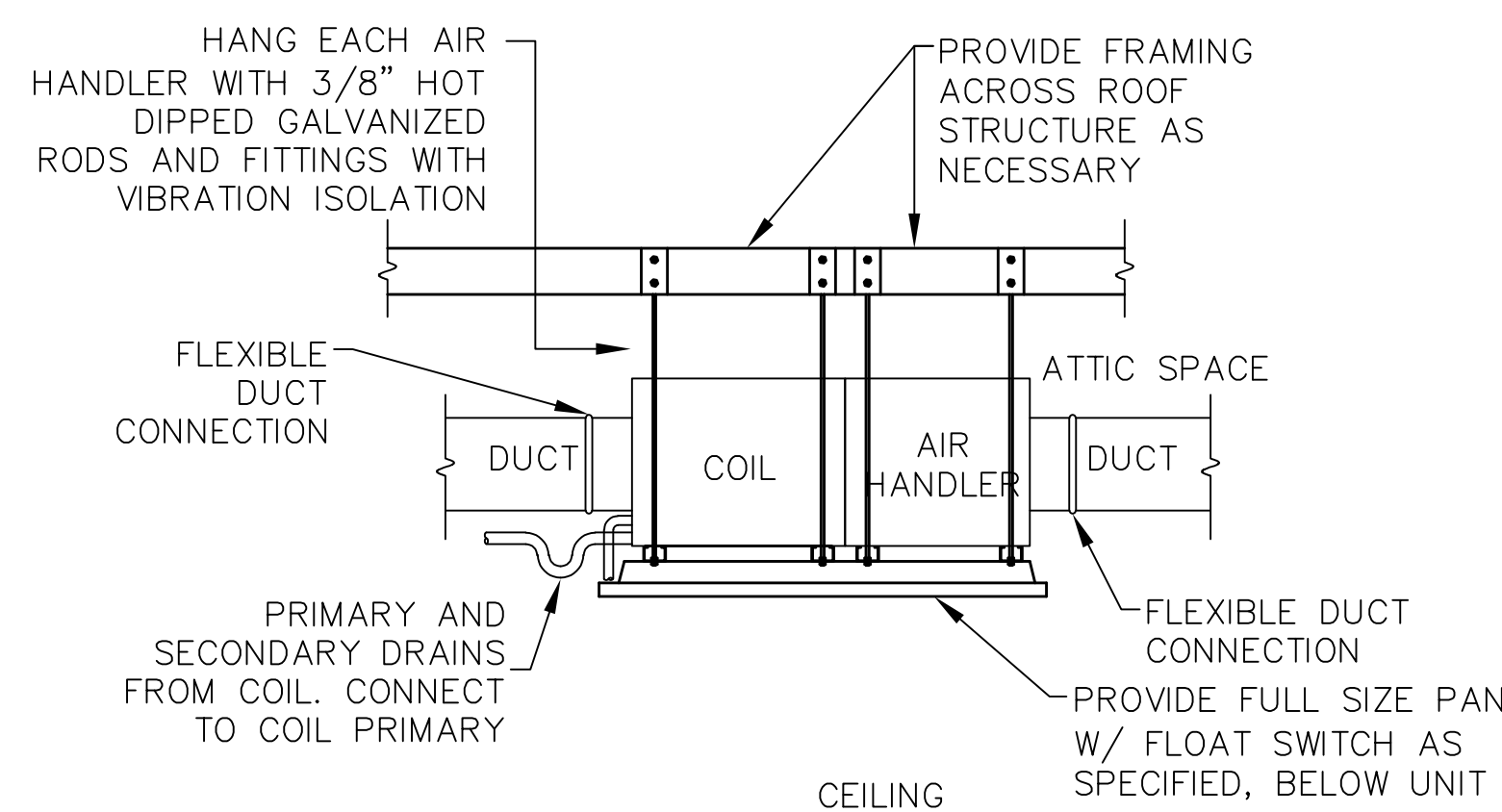


1
M-3 **DIFFUSER DETAIL**
SCALE: N.T.S.



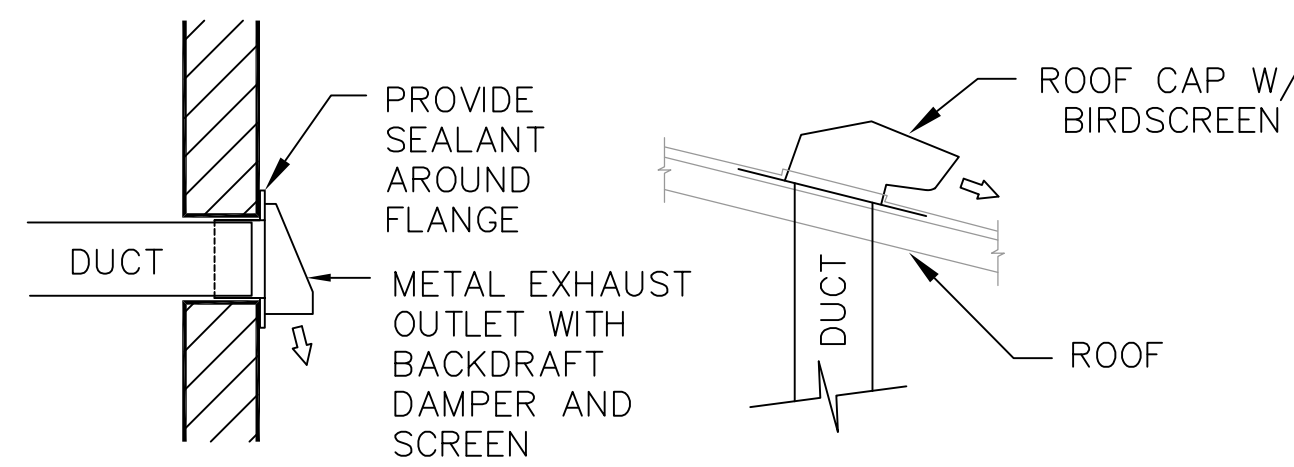
2
M-3 **TYPICAL CEILING EXHAUST FAN MOUNTING DETAIL**
SCALE: N.T.S.



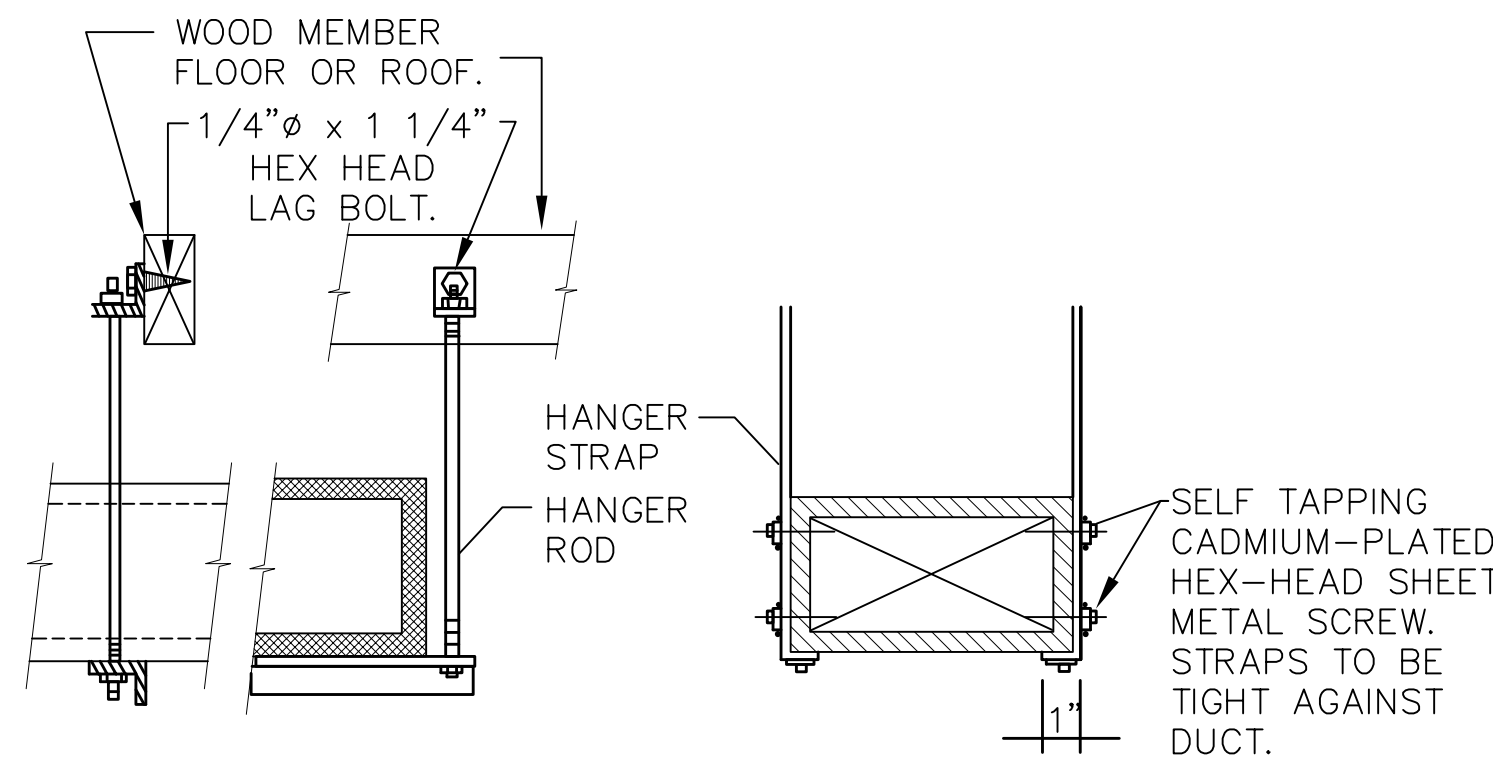
NOTES:

- 1) FULL SIZE GALVANIZED OR STAINLESS STEEL PAN AS SPECIFIED WITH DRAIN CONNECTION TO BE PLACED BELOW EACH UNIT.
- 2) PRIMARY COIL DRAIN SHALL BE PIPED TO NEAREST SANITARY SEWER CONNECTION WITH AIR GAP AND TRAP WHERE VENT IS UTILIZED.
- 3) CONNECT AND EXTEND EMERGENCY PAN DRAIN LINE THROUGH THE WALL TO LOWER DESIGNATED AREA.
- 4) LEAVE SECONDARY COIL DRAINS (HIGHER THAN PRIMARY) OPEN TO ALLOW DRAINING INTO PAN.

3
M-3 **AIR HANDLER ATTIC MOUNT WITH COIL DETAIL (TYPICAL)**
SCALE: N.T.S.

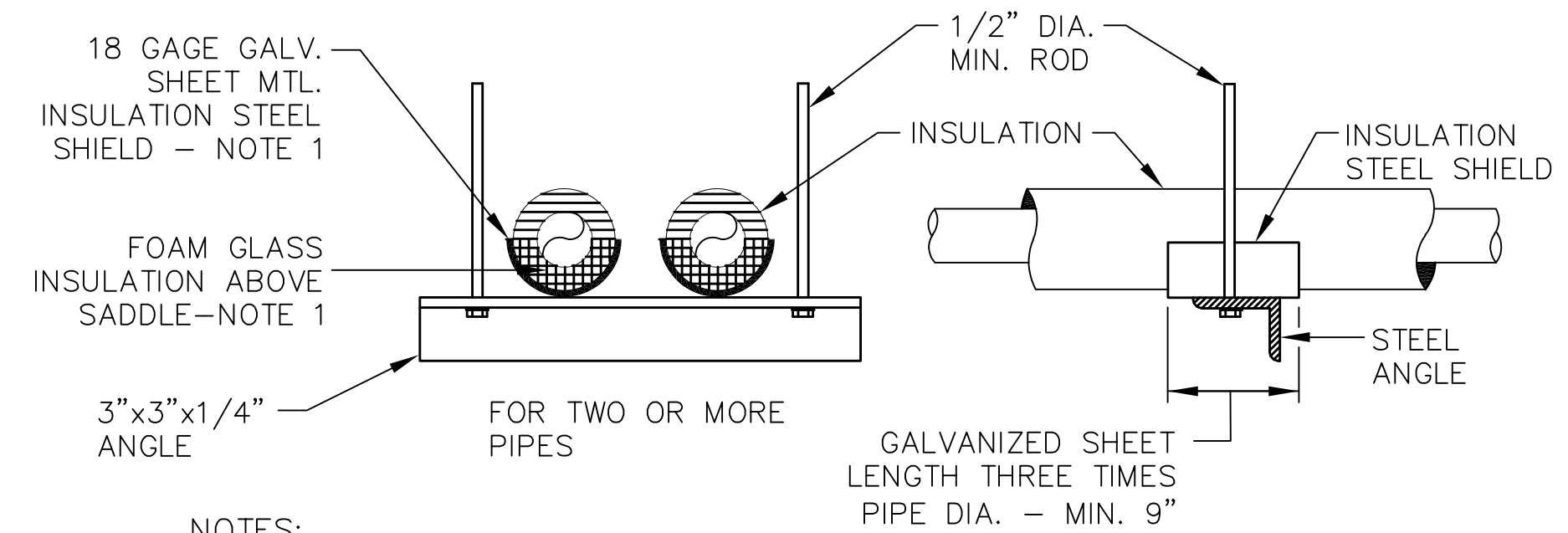
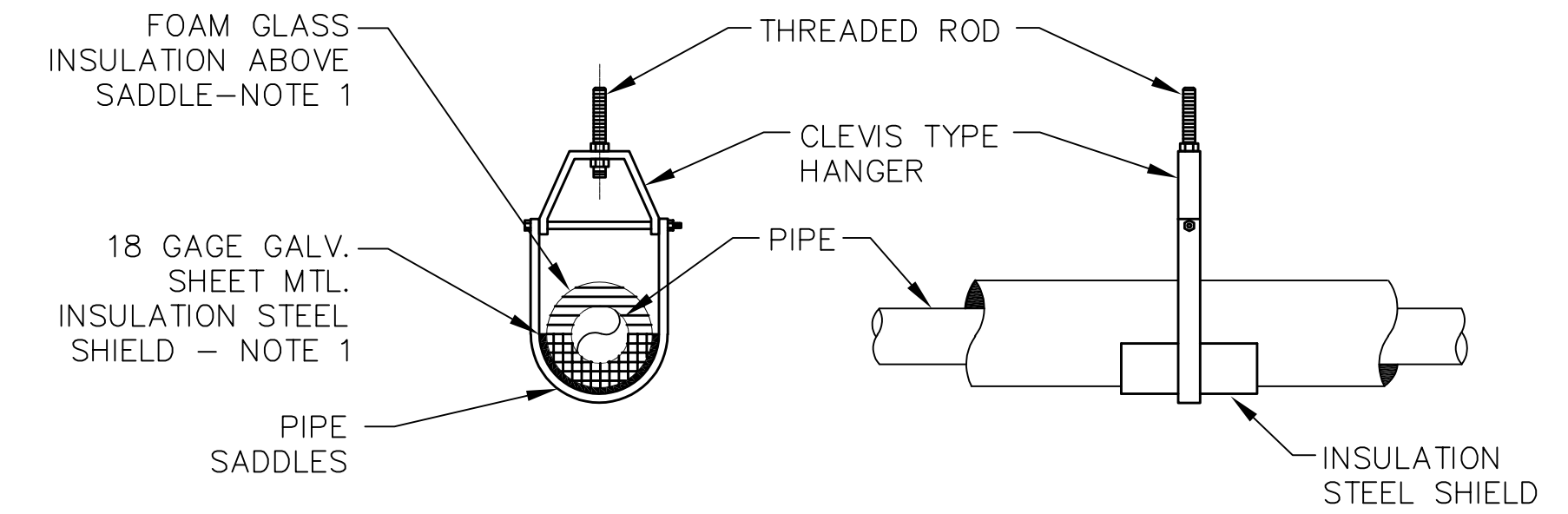


4
M-3 **ROOF AND WALL CAP DETAIL**
SCALE: N.T.S.



HANGER SIZES FOR RECTANGULAR DUCTS			
MAX. SIDE	HANGER	HORIZONTAL SUPPORT ANGLE	MAXIMUM SPACING
30"	1" x 1/4" GAGE STRAP	NONE REQUIRED	10'-0"
36"	1/4" ROUND ROD	1 1/2" x 1/8" x 1/2"	8'-0"
48"	1/4" ROUND ROD	2"x2"x1/8"	8'-0"
60"	5/16" ROUND ROD	2"x2"x1/8"	8'-0"
84"	3/8" ROUND ROD	2"x2"x1/8"	8'-0"

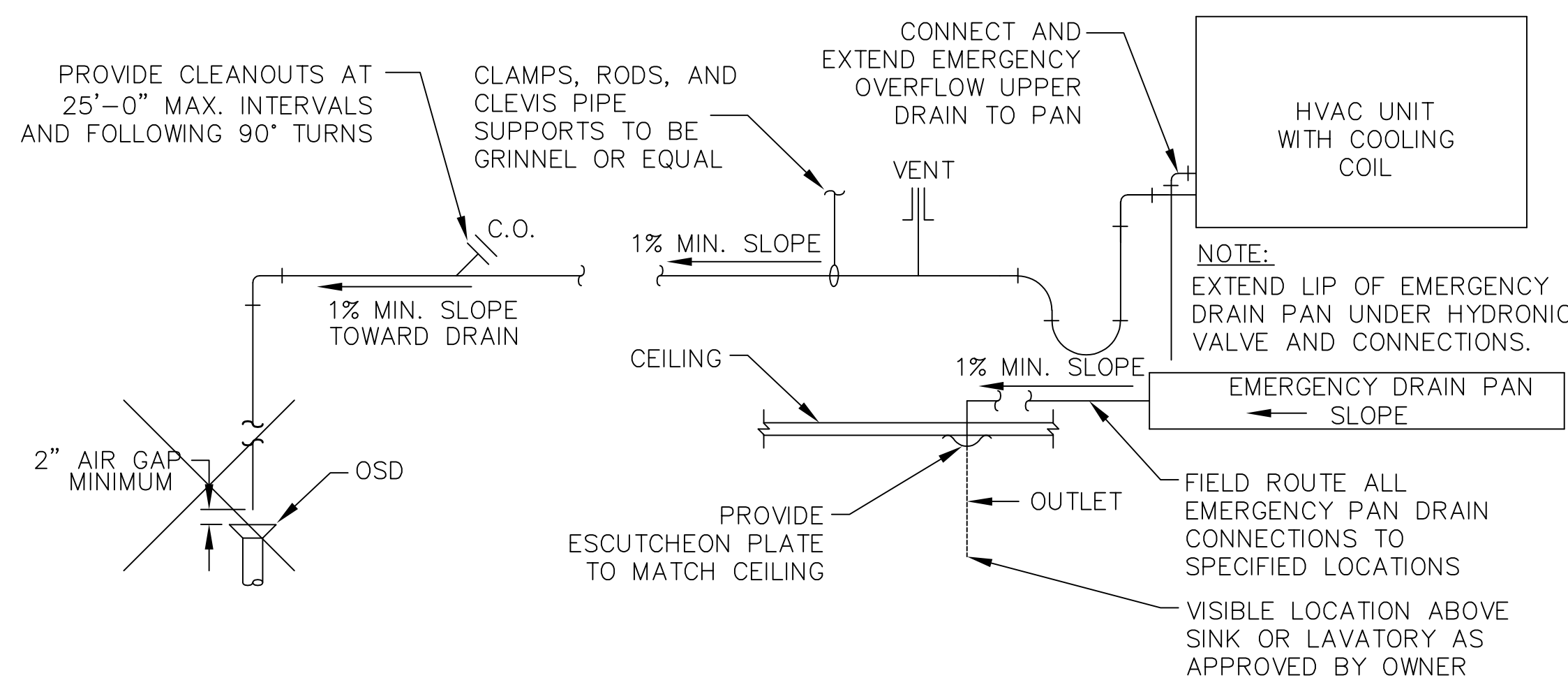
5
M-3 **DUCT HANGER DETAIL**
SCALE: N.T.S.



NOTES:

1. INSULATION ABOVE SADDLES SHALL BE FOAM GLASS OF SAME THICKNESS AS PIPE INSULATION AND COMPRESSIVE STRENGTH OF NOT LESS THAN 3,300 PSI.
2. HANGER RODS SHALL BE OF THE SAME SIZE REQUIRED, BUT NOT SMALLER THAN 1/2" DIAMETER.
3. HANGERS ARE ALSO TYPICAL FOR UNINSULATED PIPING (WITHOUT INSULATION AND SADDLES.)

7
M-3 **PIPE SUPPORT DETAIL**
SCALE: N.T.S.



6
M-3 **HANGING AHU CONDENSATE DRAIN DETAIL**
SCALE: N.T.S.

SE PROJECT NUMBER: 23415
PREPARED BY:
SE SAMUEL ENGINEERING
0450 E. Crescent Parkway, Suite 200
Greenwood Village, CO 80111
Phone: 303.714.4840
Fax: 303.714.4800
TX-Registered Engineering Firm No. F13934

THIS DRAWING REMAINS THE PROPERTY OF THE ARCHITECT AND IS NOT TO BE USED IN ANY WAY WITHOUT HIS PERMISSION

FRED B. PARKER • ARCHITECT
P.O. BOX 1016
TEXAS 76401
PH. (254)965-5358
FAX. (254)965-5393

PARKER & ASSOCIATES
ARCHITECTS & PLANNERS

HVAC - DETAILS
MULTI-PURPOSE FACILITY FOR
RANGER COLLEGE
609 Cooper St. Ranger Tx. 76470

DATE OF REVISIONS:
REV 01 FC 01/22/24

JOB NO. 23C09RAN
DRAWN BY: PL

SHEET NO. M-3

This document is copyrighted and is an instrument of service by Samuel Engineering (SE). It was prepared solely for the Owner's Client's use and this project only. Use, copy or disclosure of any information shown, in whole or in part, without SE's consent, is strictly prohibited, is a copyright breach and may be prosecuted. Any unauthorized reuse shall be at the sole risk of the user.