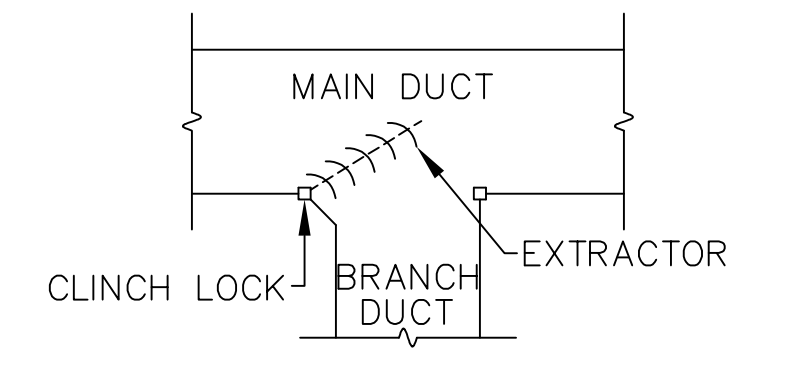


NOTE: DIELECTRIC FITTING TO BE USED WHEN TWO DISSIMILAR METALS ARE TO BE CONNECTED.

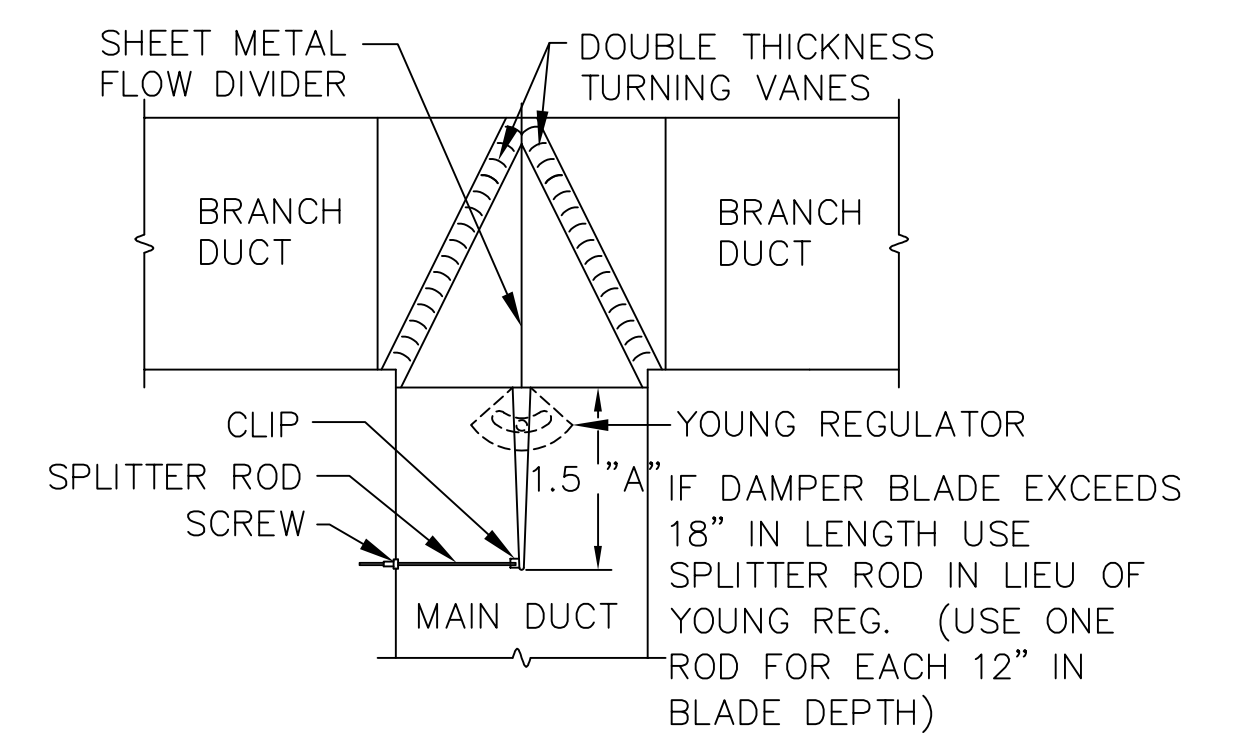
DRAW THRU	2" PLUS X	A, MINIMUM
BLOW THRU	2" MINIMUM	2" PLUS X

WHERE X = STATIC PRESSURE RATING OF FAN

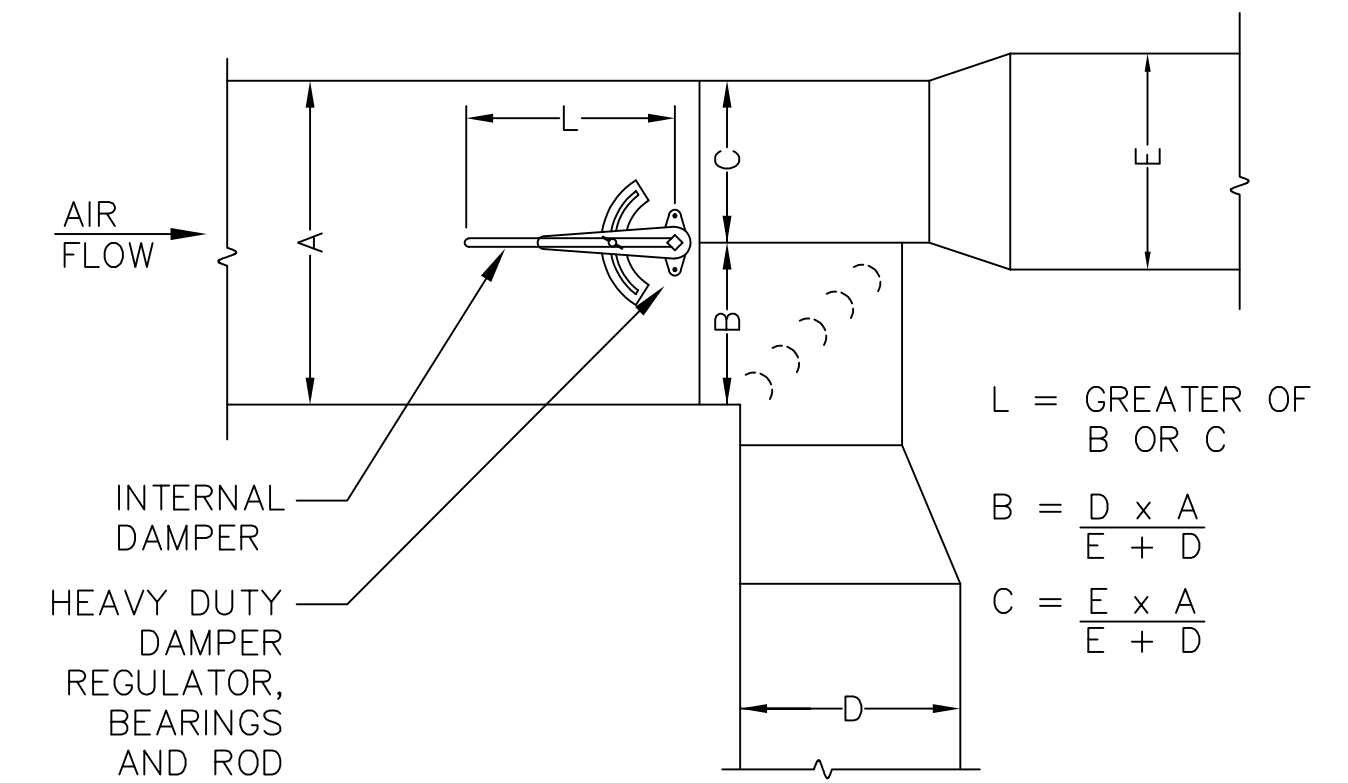
1 CONDENSATE DRAIN TRAP DETAIL  
SCALE: N.T.S.



2 TYPICAL DUCT TAP  
SCALE: N.T.S.

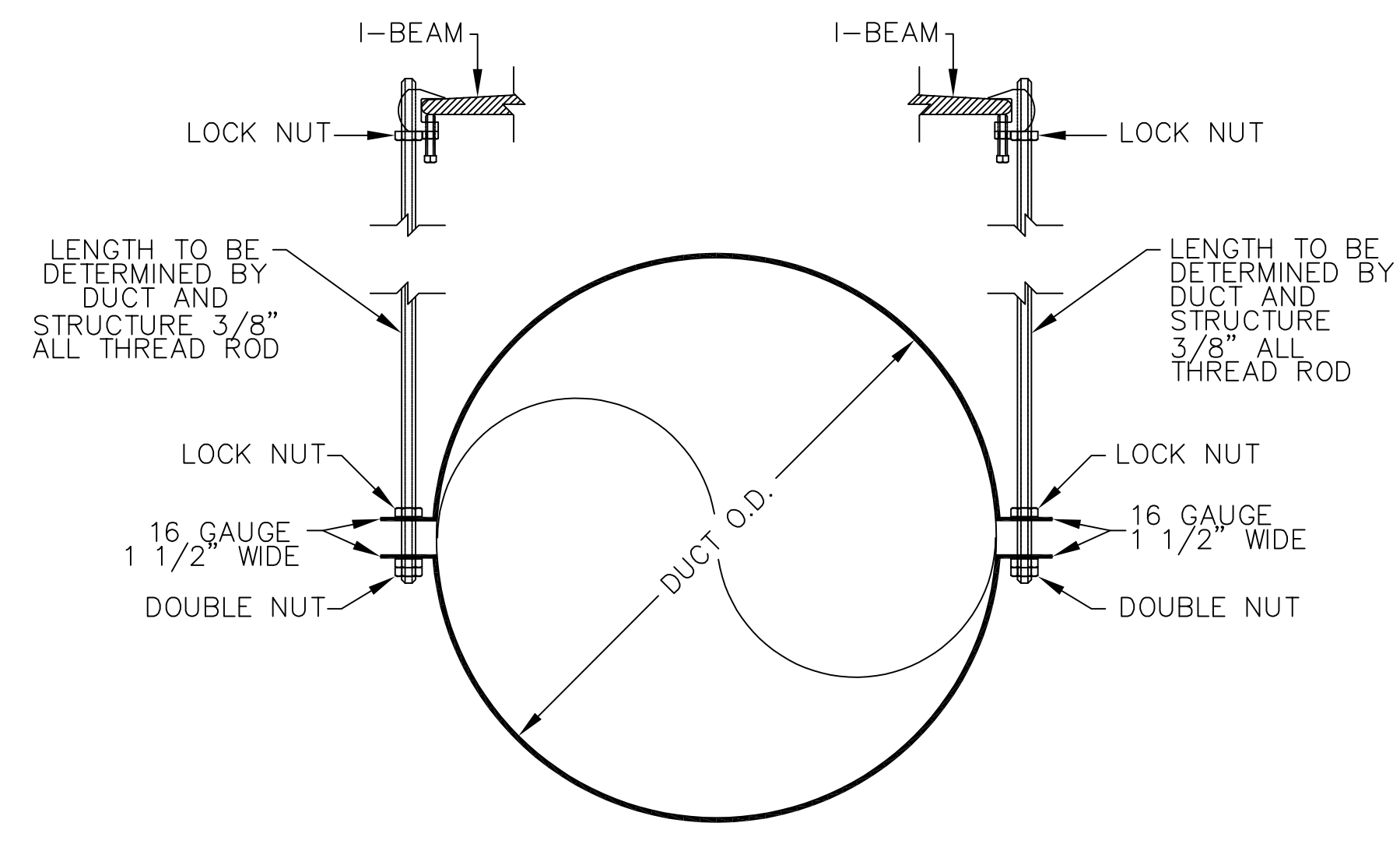


3 TEE WITH SPLITTER DAMPER  
SCALE: N.T.S.

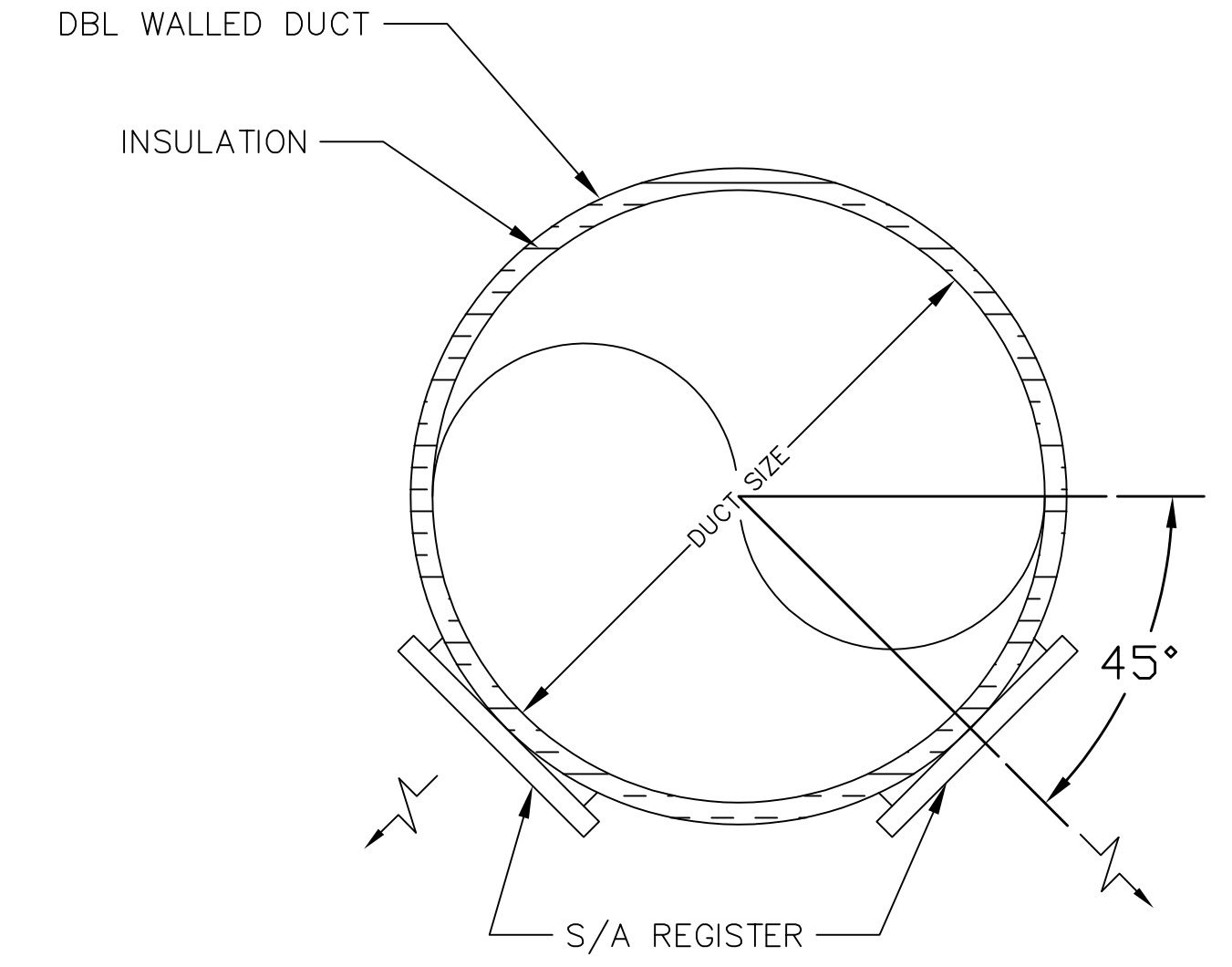


L = GREATER OF B OR C  
B =  $\frac{D \times A}{E + D}$   
C =  $\frac{E \times A}{E + D}$

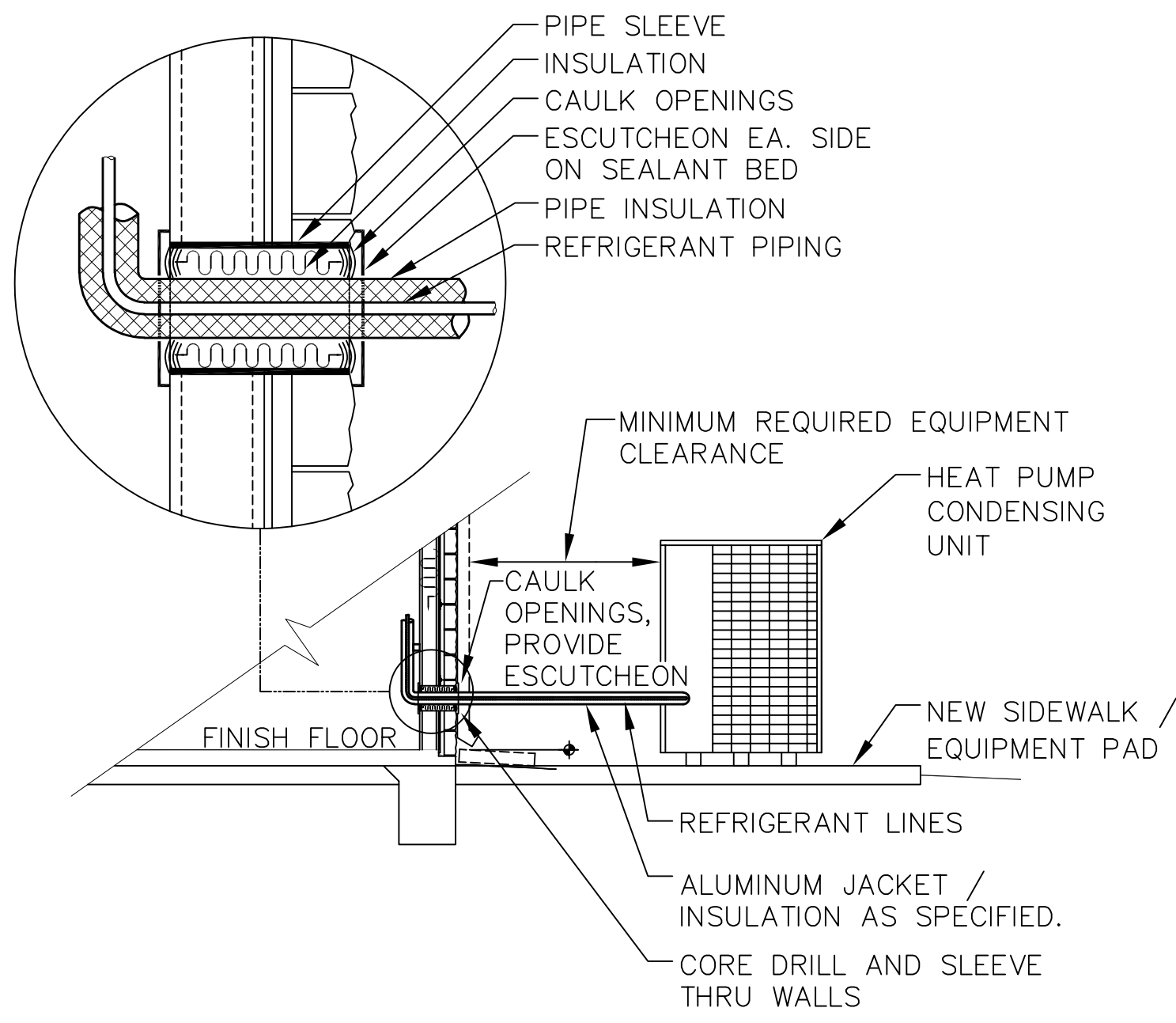
4 SPLITTER DAMPER DETAIL  
SCALE: N.T.S.



5 ROUND DUCT DETAIL  
SCALE: N.T.S.



6 EXPOSED DUCT DETAIL  
SCALE: N.T.S.



7 REFRIGERATION PIPING THRU WALL  
SCALE: N.T.S.

HVAC LEGEND:

- (T) THERMOSTAT
- (TZ) ZONE THERMOSTAT (SENSOR)
- (SD) DUCT SMOKE DETECTOR
- (TF) THERMAFUSER
- [X] EXHAUST GRILLE
- [X] 4-WAY SUPPLY AIR GRILLE
- [X] 3-WAY SUPPLY AIR GRILLE
- [X] 2-WAY SUPPLY AIR GRILLE
- [X] 1-WAY SUPPLY AIR GRILLE
- [X] 4-WAY RETURN AIR GRILLE
- [X] 3-WAY RETURN AIR GRILLE
- [X] 2-WAY RETURN AIR GRILLE
- [X] 1-WAY RETURN AIR GRILLE
- [X] FLEX DUCT
- [X] WALL RETURN GRILLE
- [X] WALL SUPPLY GRILLE
- [X] MOTORIZED DAMPER
- [X] BACKDRAFT DAMPER
- [X] FLOW DAMPER
- [X] REDUCER
- [X] BALANCING DAMPER
- [X] BALANCED AIR FLOW REQUIRED AT REGISTER
- [X] REGISTER TAG

SE PROJECT NUMBER: 23415  
PREPARED BY:  
**SE SAMUEL ENGINEERING**  
0450 E. Crescent Parkway, Suite 200  
Greenwood Village, CO 80111  
Phone: 303.714.4840  
Fax: 303.714.4800  
TX-Registered Engineering Firm No. F13934

THIS DRAWING REMAINS THE PROPERTY OF THE ARCHITECT AND IS NOT TO BE USED IN ANY WAY WITHOUT HIS PERMISSION

FRED B. PARKER • ARCHITECT  
280 N. COLUMBIA  
STEPHENVILLE, TEXAS 76401  
PH. (254)965-5358  
FAX. (254)965-5393

**PARKER & ASSOCIATES**  
ARCHITECTS & PLANNERS

HVAC - DETAILS  
MULTI-PURPOSE FACILITY FOR  
RANGER COLLEGE  
609 Cooper St. Ranger Tx. 76470

DATE OF REVISIONS:  
REV 0 IFC 01/22/24

JOB NO. 23009RAN  
DRAWN BY: PL

SHEET NO. M-2

This document is copyrighted and is an instrument of service by Samuel Engineering (SE). It was prepared solely for the Owner's Client's use on this project only. Use, copy or disclosure of any information shown, in whole or in part, without SE's consent, is strictly prohibited, is a copyright breach and may be prosecuted. Any unauthorized reuse shall be at the sole risk of the user.